

TPE331-10 Turboprop Engine

Honeywell



**HIGH PERFORMANCE.
INCREASED PERFORMANCE.
LOWER COST OF OWNERSHIP.**

**Advanced Engine Performance and
Power Generation Capability**

TPE331-10 TURBOPROP ENGINE

Specifications -

(Sea level-standard day)

Power output: shp 940
shp (thermo) 1,000
eshp 944
eshp (thermo) 1,045

ESFC: 0.534

RPM: gas gen 41,730
shaft output 2,000
(cw from rear) 1,591
(ccw from rear)

Weight: 385 lb

Pressure ratio: 10.55

Airflow: 7.7 lb/sec

Fuel: Jet A, Jet B, Jet A-1, JP-8, JP-1, JP-4, JP-5, JP8+100

Oil: Mil-L-23699B
Mil-L-7808
Type I/Type II

Electrical: 24 vdc, 16.2 amp (max)

(Demonstrated) Start capability: SL-30,000 ft
No minimum O.A.T.
to + 55°C

(Demonstrated) Operational limits: SL-45,000 ft
No minimum O.A.T.
to + 55°C

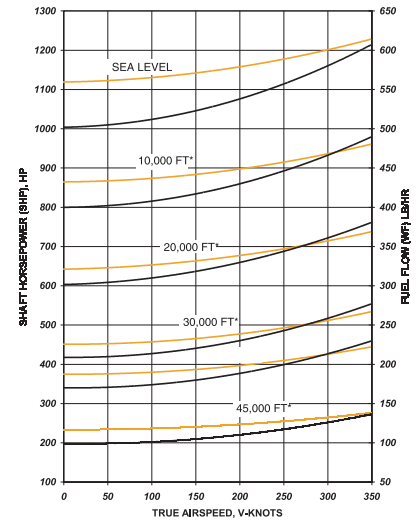
Compressor bleed: high pressure
10% (max)

*Available in cw and ccw

Basic Engine Includes

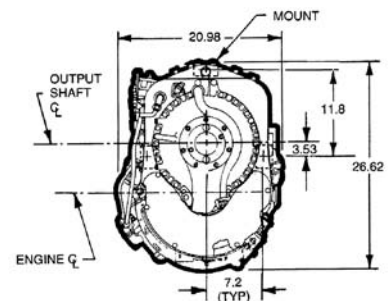
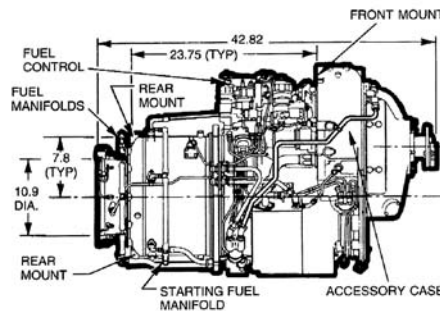
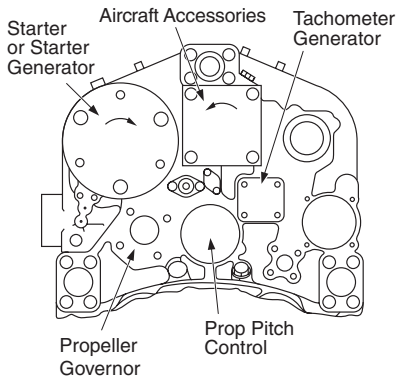
- Control System
 - Single Red Line /Auto-Start Controller
 - Hydromechanical Fuel Control
- Propeller Governor
- Fuel Pump
- Fuel Shutoff Valve,
- Fuel Anti-ice Heating System
- Dual Continuous Ignition System
- Lubrication System
- Propeller-Pitch Control
- Oil Temperature-Sensing Bulb
- Negative-Torque-Sensing (NTS) System
- Beta-Pressure Sensing Switch
- Fire-Shield Adapter
- Propeller Flange
- Torque and Temperature Limiting

- Fuel Purge System
 - Air Speed and Ambient Pressure Ratio Transducer
- ## Optional Accessories/Features
- Water Methanol Augmentation Manifold
 - Aluminum Gearbox



Nominal Use	Type of Drive (One Each)	AND Drive Modifications	Rotation Facing Drive Pad and rpm	Maximum Torque (lb-in)			Overhung Moment (lb-in)
				Continuous	Overload	Static	
Aircraft Accessory	AND20001 Type XI-B (Modified)	Rotation and rpm	CCW 3,959	250	375	1,650	125
Starter or Starter-Generator or Alternator	AND20002 Type XII-D (Modified)	Rpm, T _C , T _O , and Stud Pattern Rotated 30 Degrees	CCW 10,887	300	600	2,200	500
Tachometer-Generator	AND20005 Type XV-B (Modified)	Shorter Studs and Thread Lengths	CW 4,187	7	—	50	25
Propeller Governor	AND20010 Type XX-A (Modified)	Rpm, Stud Length, and Negative-Torque-System Supply Port	CW 3,754	125	188	825	125
Propeller Pitch Control	Mounting Pad Provided			None			30

CCW = Counterclockwise CW = Clockwise T_C = Continuous torque T_O = Torque overload T_S = Static torque



Honeywell

1944 East Sky Harbor Circle
Phoenix, AZ 85034
800-601-3099
602-365-3099
www.honeywell.com

N61-0346-000-001
April 2006
© 2006 Honeywell International Inc.

